

DATA SHEET



Mini DisplayPort™ 1.2 to Dual HDMI® MST Hub

Connect two MST enabled HDMI displays to a device with a single Mini DisplayPort 1.2 output

OVERVIEW

This Mini DisplayPort 1.2 to Dual HDMI MST Hub allows a Mini DisplayPort enabled device to connect to two HDMI enabled displays for video mirroring, video extension, or viewing a single video image across two displays. The hub is perfect for graphic design, spreadsheet analysis, and digital signage applications.

Improve multitasking and increase productivity by configuring the hub to work as a splitter with the same video image on each display, extending a video image to multiple displays, or expanding a video image by joining multiple monitors together as one display. The hub is ideal for a multiple display desk setup and the light-weight, small form factor, also makes it easy to carry while traveling or just on the go.

The hub supports resolutions up to 4K (3840 x 2160) at 60Hz when connected to a single display or 4K (3840 x 2160) at 30Hz when connected to dual displays and has a max bandwidth of 5.4Gbps.

Note: This hub requires 5V/2A of power. In some instances, depending on the connected source device, additional external power may be required through the USB Micro-B port on the hub. Optional Micro-B power cable available (Part Number 81708). This MST hub is DisplayPort 1.2 compliant. The source device video card and display must support DisplayPort 1.2 and MST.

FEATURES

- Multi-Stream Transport (MST)
- Supports dual display resolutions up to 4K (3840 x 2160) at 30Hz
- Supports single display resolutions up to 4K (3840 x 2160) at 60Hz
- 5.4Gbps max bandwidth
- Supports 7.1 channel sound
- DisplayPort 1.2 standards
- USB Micro-B port for additional power (see note)

ITEM DESCRIPTION

84292 Mini DisplayPort 1.2 to Dual HDMI MST Hub

DATA SHEET

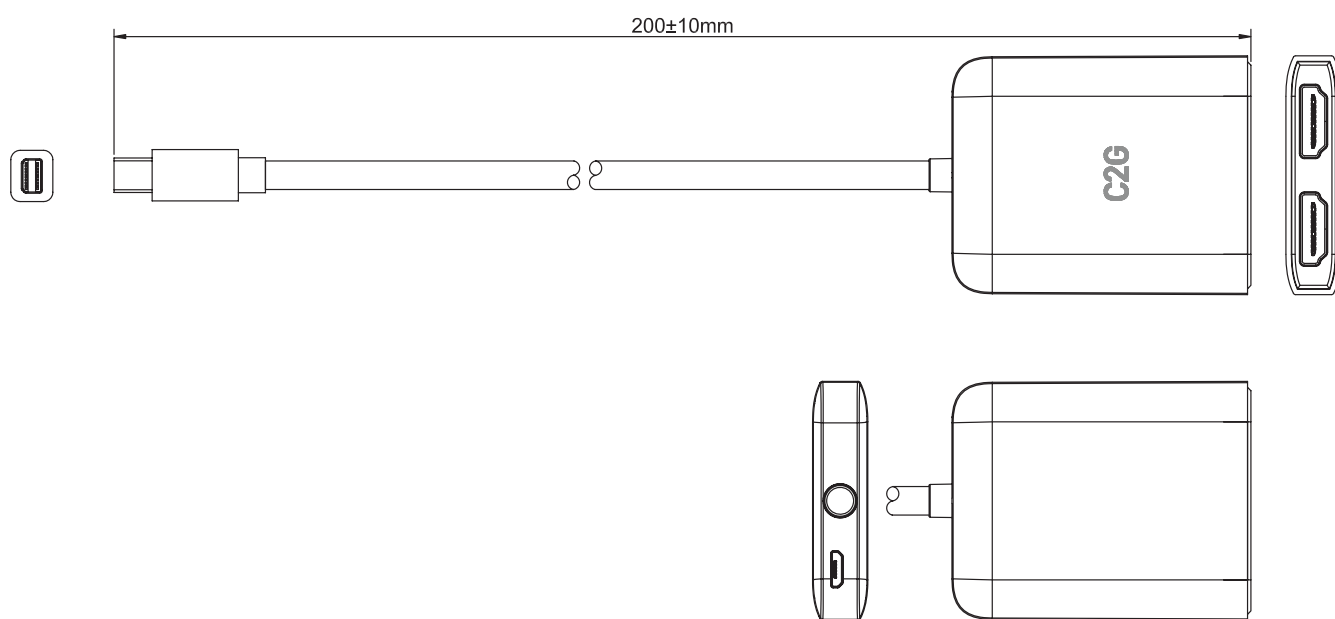
SPECIFICATIONS: Mini DisplayPort™ 1.2 to Dual HDMI® MST Hub

ELECTRICAL SPECIFICATIONS:

- Resolution: 3840 x 2160 at 30Hz (Dual Display)
- Resolution: 3840 x 2160 at 60Hz (Single Display)
- Output: Requires 5V, 2A external power over Micro-B USB port
- DisplayPort 1.2a compliant
- Link Rate: HBR2/HBR/RBR
- Bandwidth: 5.4Gbps max.
- Support SST and MST (when both host and monitor support)
- Support 7.1 sound channel; max. sampling size 192KHz

PHYSICAL SPECIFICATIONS:

- Connector 1: Mini DisplayPort Male, Nickel Plated
- Connector 2: PCBA\Mini DP Male to Dual HDMI Female Black Core, Nickel Plated Connector
- Cable OD: 5.0, UL20276 (32AWG*1P+D+ALMY)*5C+32AWG*5C+AL+D+B, Jacket PVC Black
- Shell 1: Plastic Shell\Glossy Shell Black
- Shell 2: Plastic Shell\Glossy Shell Black
- Operating Temperature: 0°C to 50°C
- Storage Temperature: -25°C to 70°C



C2G[®]
A brand of **legrand**

Great King Street North
Birmingham, West Midlands B19 2LF
UK Phone (0)800 328 2916
EMEA Phone +44 (0)1952 677300
www.c2g.com/uk

Follow Us

